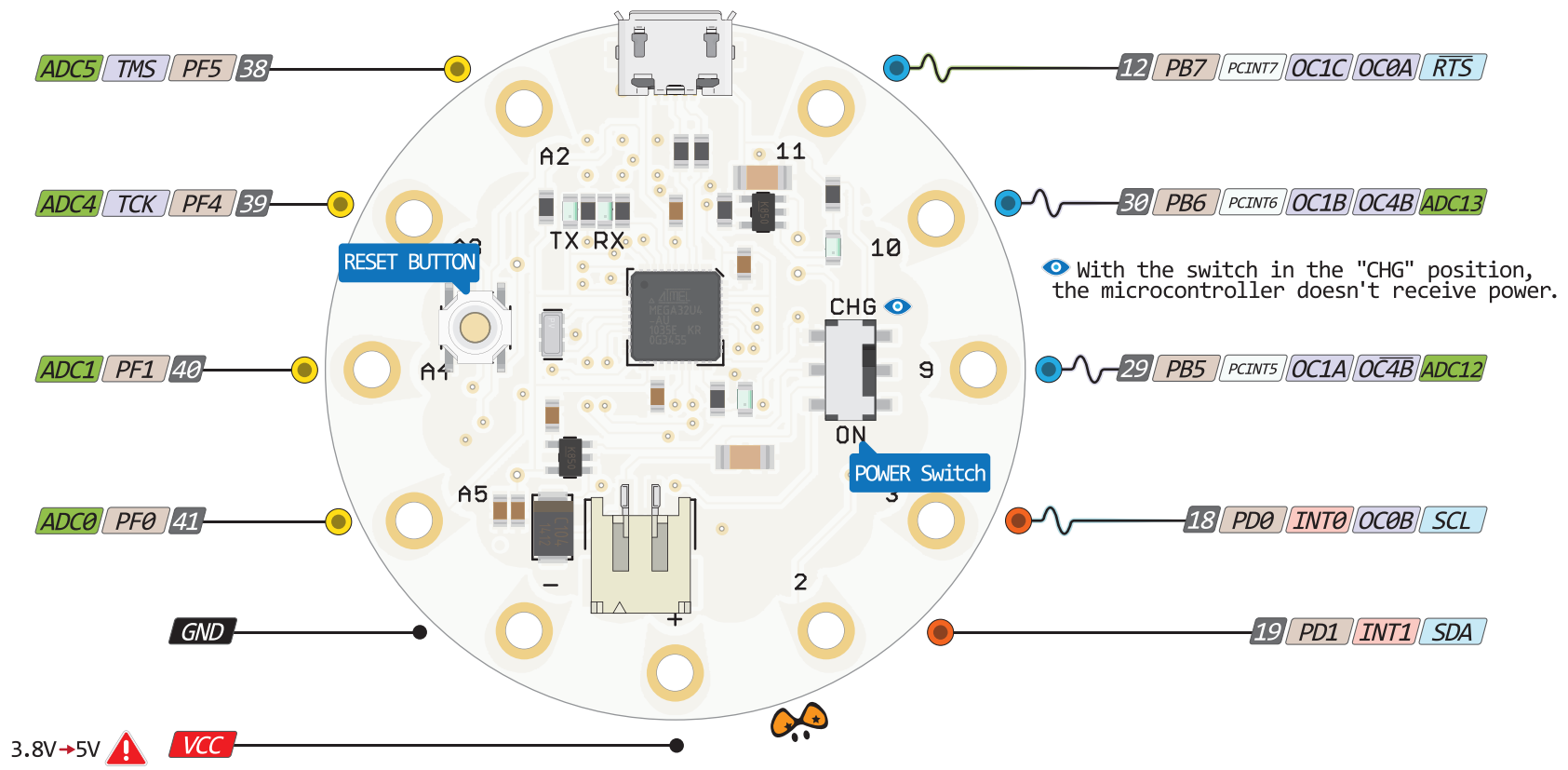
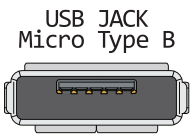


LILYPAD USB PINOUT

The power sum for each pin's group should not exceed 100mA



Legend:

- IDE
- Power
- GND
- Serial Pin
- Analog Pin
- INT
- Physical Pin
- Port Pin
- Pin function
- Interrupt Pin
- PWM Pin
- Port Power

With the switch in the "CHG" position, the microcontroller doesn't receive power.

Don't power the LilyPad with more than 5V: you'll kill it!

Absolute MAX per pin 20mA recommended 10mA

Absolute MAX 200mA for entire package

PWM TYPE

- 8/16bit
- 16bit
- 8bit